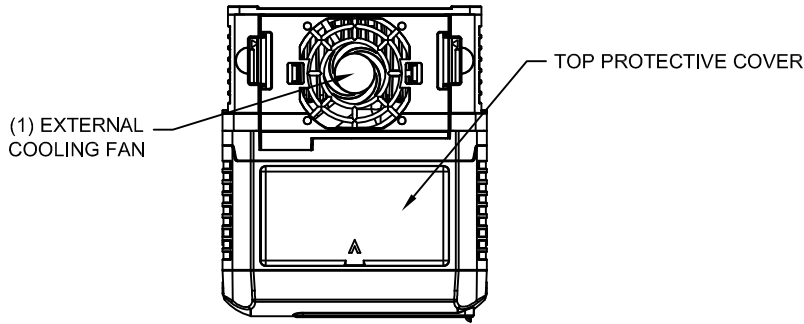
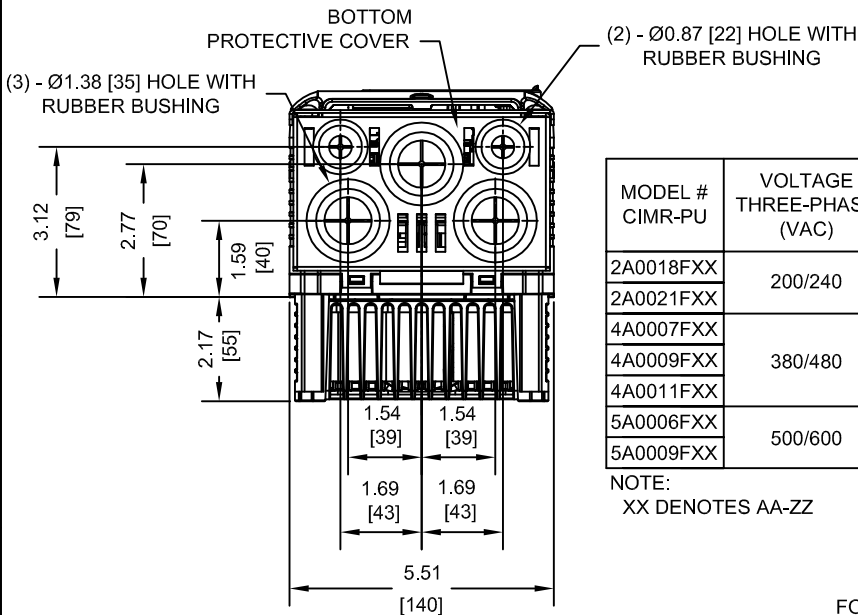
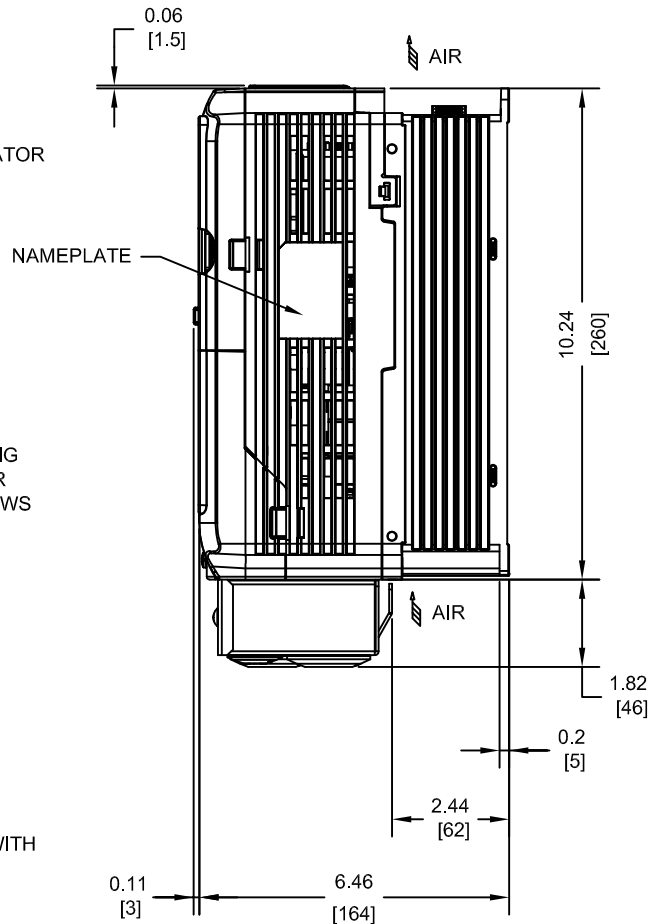
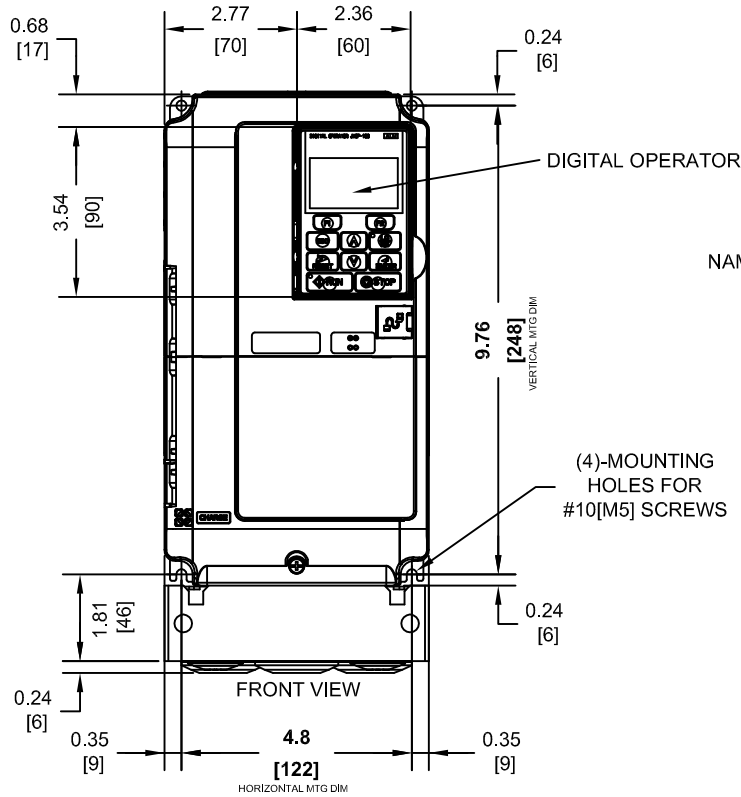


A
B
C
D
E
F
G
H
I
J



NOTE:
PROTECTIVE COVERS ARE FACTORY INSTALLED TO THE TOP AND BOTTOM OF THE DRIVE TO MEET IP20 & NEMA TYPE 1 REQUIREMENTS, RESULTING IN AN AMBIENT TEMPERATURE RATING OF 104F(40C). REMOVE THESE COVERS WHEN OPERATING THE DRIVE WITHIN A PANEL TO OBTAIN THE MAXIMUM SURROUNDING AIR TEMPERATURE RATING OF 122F(50C). REMOVING THESE COVERS RESULTS IN AN ENCLOSURE RATING OF IP00.



| MODEL # CIMR-PU | VOLTAGE THREE-PHASE (VAC) | OUTPUT CURRENT (A) | WEIGHT LBS (Kg) | HEAT LOSS (W) (Fc=2kHz) | | |
|--------------------|---------------------------------|-----------------------|--------------------|----------------------------|-------|-------|
| | | | | INT | EXT | TOT |
| 2A0018FXX | 200/240 | 17.5 | 8.1 (3.7) | 67.4 | 100.7 | 168.1 |
| 2A0021FXX | | 21.0 | 8.1 (3.7) | 83.3 | 138.4 | 221.7 |
| 4A0007FXX | 380/480 | 6.9 | 7.9 (3.6) | 59.0 | 62.1 | 121.0 |
| 4A0009FXX | | 8.8 | 8.1 (3.7) | 60.4 | 65.8 | 126.2 |
| 4A0011FXX | | 11.1 | 8.1 (3.7) | 73.0 | 88.7 | 161.7 |
| 5A0006FXX | 500/600 | 6.1 | 8.1 (3.7) | 43.7 | 28.1 | 71.8 |
| 5A0009FXX | | 9.0 | 8.1 (3.7) | 68.9 | 43.4 | 112.3 |

NOTE:
XX DENOTES AA-ZZ

INT=INTERNAL COMPONENTS
EXT=EXTERNAL HEATSINK
TOT=TOTAL

FOR ADDITIONAL DETAILS AND SPECIFICATIONS, CONSULT MANUAL

TOLERANCES / REFERENCES:

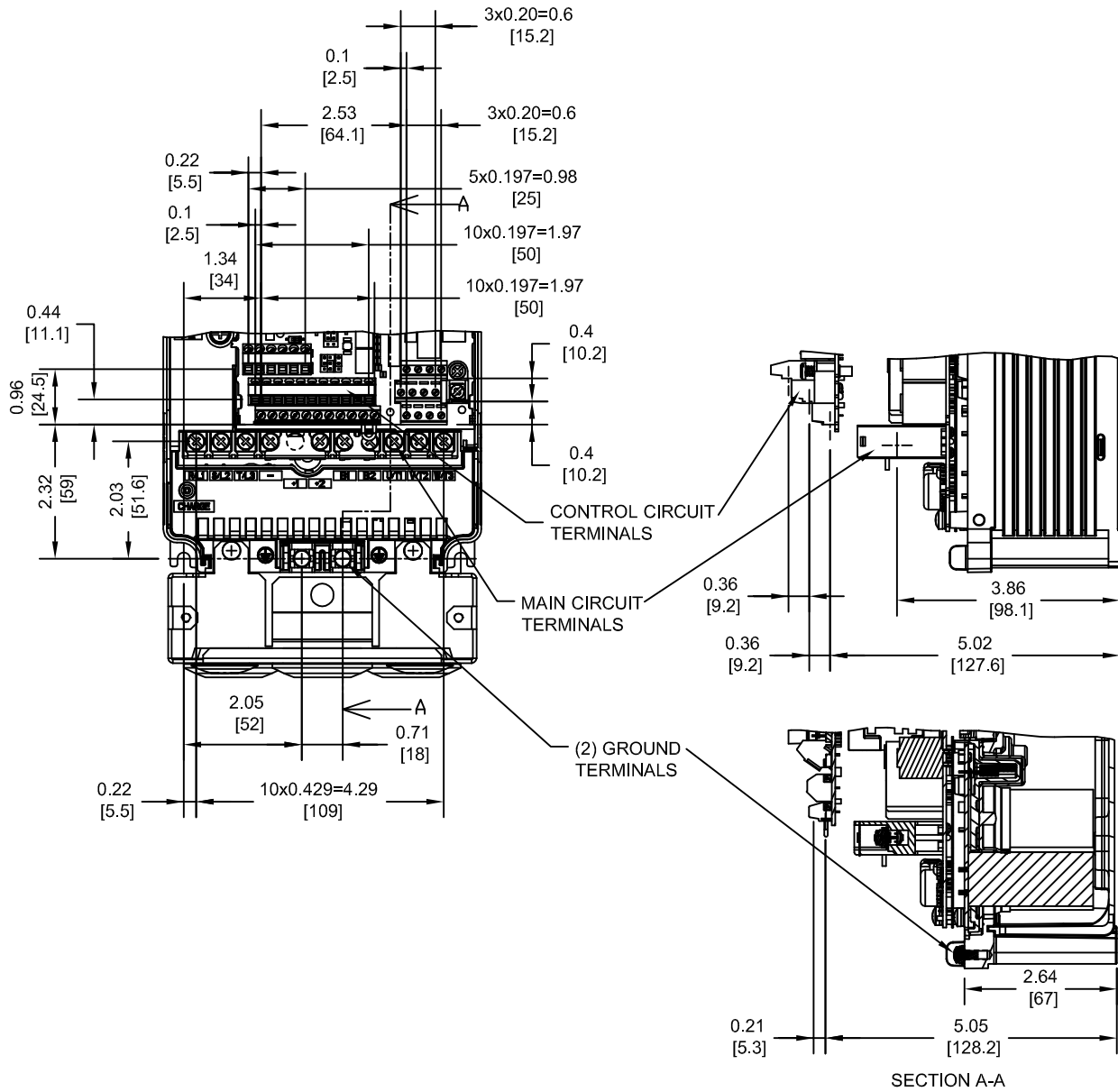


THIS DOCUMENT AND INFORMATION CONTAINED IN IT ARE CONFIDENTIAL, AND CANNOT BE COPIED OR DISCLOSED IN WHOLE OR IN PART WITHOUT THE EXPRESS WRITTEN CONSENT OF YASKAWA AMERICA, INC.

| | | |
|---------------------------|-----------------|--|
| DRAWN: J. MATTAS | DATE 12-9-11 | TITLE: P1000 DIMENSION DRAWING |
| CHECKED: J. PIOTROWSKI | DATE 1-5-12 | FRAME SIZE 2 |
| TECH: J. BORJA | DATE 1-9-12 | NEMA TYPE 1 ENCLOSURE |
| APPROVED: J. CAIRO | DATE 1-10-12 | 2A00018 - 21, 4A0007 - 11, 5A0006 - 09 |
| ORIGINAL DESIGN: - | DATE - | SIZE: A REVISION: R00 PAGE: 1 of 3 |
| | | DRAWING #: DD.P1K.FR2.N1 |

UNITS: IN [mm] SCALE: 1:4

TERMINAL AND WIRING DETAILS (SCALE 1:3)



TERMINAL AND WIRE SPECIFICATIONS FOR MAIN CIRCUIT AND GROUND

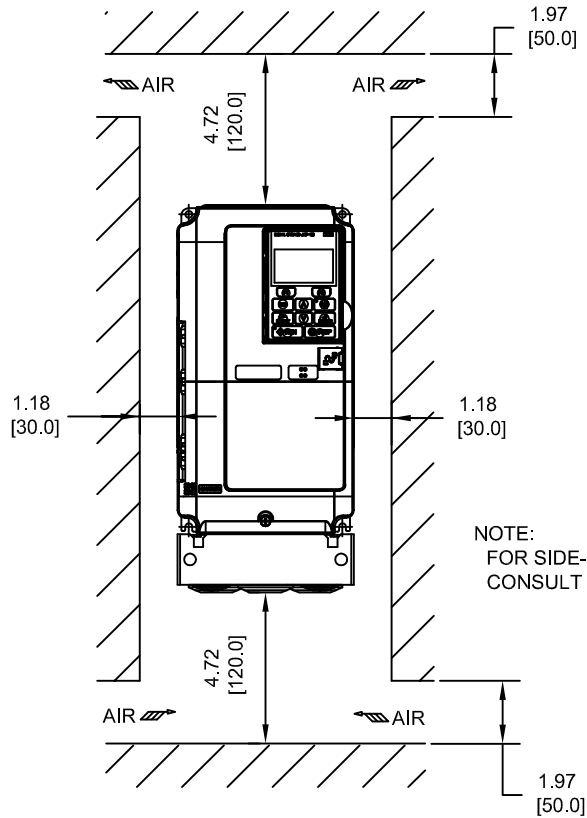
| MODEL # CIMR-PU | TERMINAL SYMBOL | TERMINAL SCREW | CLAMPING TORQUE lb.in.(N.m.) | WIRE RANGE AWG(mm ²) |
|--|---|-------------------|---------------------------------|-------------------------------------|
| 2A0018 2A0021 4A0007 4A0009 4A0011 5A0006 5A0009 | R/L1, S/L2, T/L3, ⊖, ⊕1, ⊕2, B1, B2, U/T1, V/T2, W/T3, ⊕ | M4 | 10.6 TO 13.2 (1.2 TO 1.5) | 14-10 (2.5-6.0) |

NOTE: REFER TO APPLICABLE CODES FOR PROPER WIRE TYPE AND SIZE

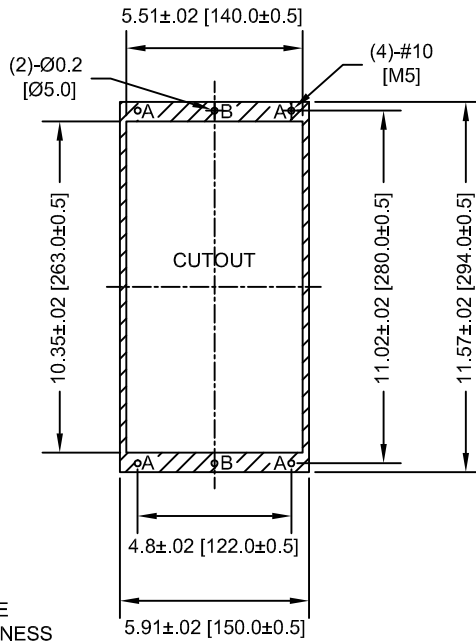
FOR ADDITIONAL DETAILS AND SPECIFICATIONS, CONSULT MANUAL

| | | | | | | |
|--------------------------|-------------------|--|---|--|-----------------------------|------------------|
| TOLERANCES / REFERENCES: | | | DRAWN: J. MATTAS DATE: 12-9-11 | TITLE: P1000 DIMENSION DRAWING FRAME SIZE 2 NEMA TYPE 1 ENCLOSURE 2A00018 - 21, 4A0007 - 11, 5A0006 - 09 | | |
| | | | CHECKED: J. PIOTROWSKI DATE: 1-5-12 | TECH: J. BORJA DATE: 1-9-12 | SIZE: A | REVISION: R00 |
| | | APPROVED: J. CAIRO DATE: 1-10-12 | ORIGINAL DESIGN: - | DATE: - | DRAWING #: DD.P1K.FR2.N1 | |
| UNITS: IN [mm] | SCALE: BY VIEW | THIS DOCUMENT AND INFORMATION CONTAINED IN IT ARE CONFIDENTIAL, AND CANNOT BE COPIED OR DISCLOSED IN WHOLE OR IN PART WITHOUT THE EXPRESS WRITTEN CONSENT OF YASKAWA AMERICA, INC. | | | | |

MINIMUM INSTALLATION CLEARANCES (SCALE 1:6)



PANEL CUTOUT FOR EXTERNAL HEATSINK MOUNTING CONFIGURATION (SCALE 1:6)



- NOTES:**
- EXTERNAL HEATSINK CONFIGURATION REQUIRES MOUNTING KIT
 - EXPOSED HEATSINK RECOMMENDED CLEARANCE D=2.36" MINUS PANEL THICKNESS

FOR ADDITIONAL DETAILS AND SPECIFICATIONS, CONSULT MANUAL

| | | | | | | | |
|--------------------------|-------------------|----------------------------------|-------------------------------------|-----------------------------|--|-----------------|--|
| TOLERANCES / REFERENCES: | | | DRAWN: J. MATTAS 12-9-11 | DATE: 12-9-11 | TITLE: P1000 DIMENSION DRAWING FRAME SIZE 2 NEMA TYPE 1 ENCLOSURE 2A00018 - 21, 4A0007 - 11, 5A0006 - 09 | | |
| | | | CHECKED: J. PIOTROWSKI 1-5-12 | DATE: 1-5-12 | | | |
| | | TECH: J. BORJA 1-9-12 | DATE: 1-9-12 | | | | |
| | | APPROVED: J. CAIRO 1-10-12 | DATE: 1-10-12 | SIZE: A | REVISION: R00 | PAGE: 3 of 3 | |
| UNITS: IN [mm] | SCALE: BY VIEW | ORIGINAL DESIGN: - | DATE: - | DRAWING #: DD.P1K.FR1.N1 | | | |

THIS DOCUMENT AND INFORMATION CONTAINED IN IT ARE CONFIDENTIAL, AND CANNOT BE COPIED OR DISCLOSED IN WHOLE OR IN PART WITHOUT THE EXPRESS WRITTEN CONSENT OF YASKAWA AMERICA, INC.